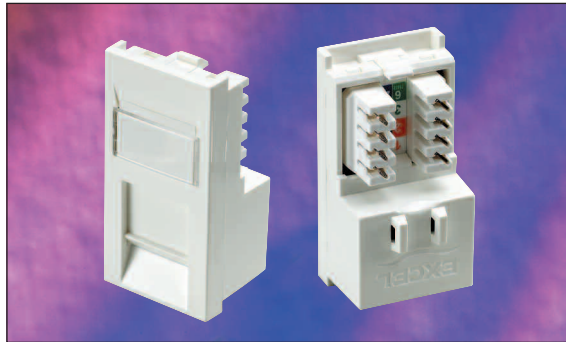


## Excel Category 5e Unshielded Twisted Pair (UTP) Module - Low Profile



25 Year System Warranty

Supports Gigabit Ethernet

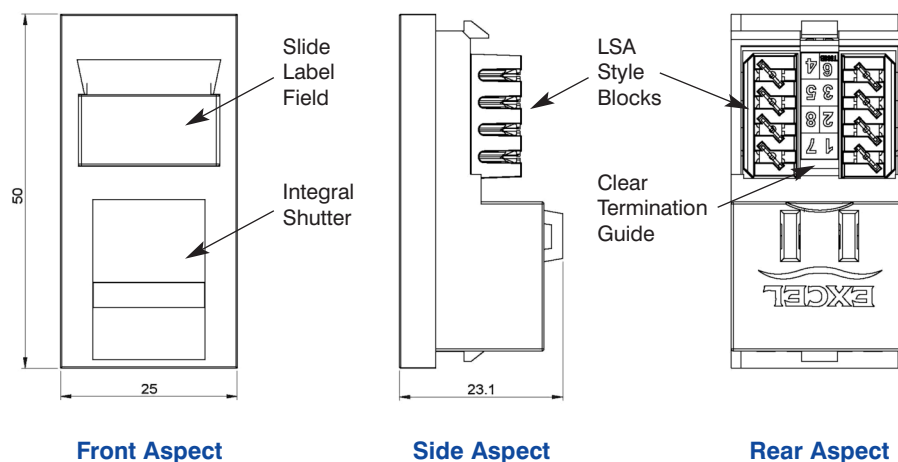
Choice of Colours

### Features

- Category 5e compliant
- Power Sum Compliant
- One Piece, Snap-in Design
- Built in Slide Label System
- Low Profile Design
- LSA Style Termination Blocks
- 25 Year System Warranty
- Choice of Colours
- BSRIA Number 1 private label, by market share for the last three years

### Product Overview

Excel Category 5e Low Profile RJ45 modules comply with the standards for enhanced Category 5. Each shuttered module is supplied with a slide label field and space above, this is allowed for use of self adhesive or further labelling if required. Termination can be made using LSA compatible tooling. The low profile design makes this module ideal for installations in floor box environments or shallow dado trunking.



### Performance Overview

Excel Category 5e Data Outlets are manufactured and tested to the current Category 5 enhanced standards as defined by the EIA/TIA and ISO standards' bodies. Swept frequency tests are applied to each critical performance characteristic, such as near end cross talk (NEXT) and far end cross talk (FEXT). Both Worst Case and Power Sum Test methods are applied. Actual performance exceeds the required standard by a considerable margin ensuring sufficient headroom for even the most demanding applications.

## Performance / Specification Table

Specification	Category 5e ISO Class D2002 EIA\TIA 568B
Wiring Specification	EIA 258A/568B
Dimensions	25mm wide x 21.05mm deep x 50mm high
Installation Recommendation	Suits minimum of 15mm Back Boxes when installed with Bevelled Faceplate
RJ45 Jack	Min life 700 insertions
RJ45 Jack	50 Micron Gold Plated contact pins
IDC Contacts	Suitable for LSA compatible tooling
IDC Contacts	Maximum 100 reterminations
NEXT at 100MHz	Category 5e 40dB @100MHz (Power Sum)
FEXT at 100MHz	Category 5e 32dB @100MHz (Power Sum)

## System Warranty

When installed with Excel Patch Panels and Data Outlets by an accredited Excel Cabling Partner, this product is supported by a comprehensive 25 year product and applications warranty.

## Typical Applications

- 10 Base-T
- 100 Base-TX
- Token Ring
- 1000 Base T Gigabit Ethernet
- 155 Mbps ATM
- 622 Mbps ATM

## Part Number Information

Part No.	Description
100-760	Excel RJ45 White Low Profile Module
100-737	Excel RJ45 Blue Low Profile Module
100-738	Excel RJ45 Red Low Profile Module
100-739	Excel RJ45 Green Low Profile Module



Fusion Services  
Stoneleigh House, 42 Stonor Park Road  
Solihull, B91 1EG, GB

Tel: 01212400668

Email: [ken@fusionservices.co.uk](mailto:ken@fusionservices.co.uk) Web: [www.fusionservices.co.uk](http://www.fusionservices.co.uk)